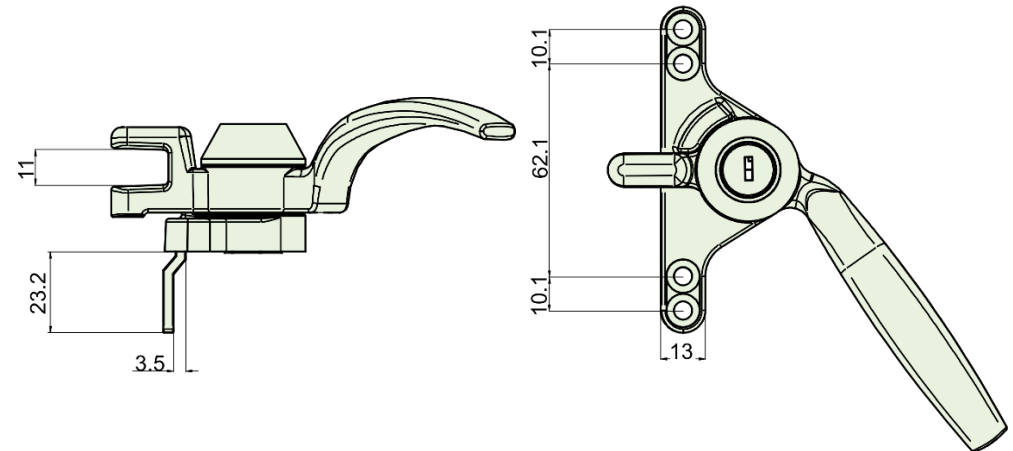


PRODUCT FEATURES & TECHNICAL INFORMATION

- A Multipoint handle which replicates the traditional appearance of a cockspur handle with a gear box drive blade for concealed multipoint rail systems
- Variety of drive blades enables compatibility with many window systems, see separate drive blades options page at the end of this section
- Screw cover caps are supplied for a contemporary look and colour fixing screws are available for a traditional appearance
- Suitable for M4 countersunk fixing screws
- Available in several finishes or matching RAL finish on request
- Complimentary B375 design pegstay available in 2 sizes
- Complimentary door handles and escutcheons available for suited look

MP158 Multipoint Curved Classic Handle



MP158N12 – Non Locking

MP158K12- Key Locking

Dimensions with Standard Drive Blade

PRODUCT FEATURES & TECHNICAL INFORMATION

- A Multipoint handle which replicates the traditional appearance of a cockspur handle with a gear box drive blade for concealed multipoint rail systems
- Variety of drive blades enables compatibility with many window systems, see separate drive blades options page at the end of this section
- Screw cover caps are supplied for a contemporary look and colour fixing screws are available for a traditional appearance
- Suitable for M4 countersunk fixing screws
- Available in several finishes or matching RAL finish on request
- Complimentary B375 design pegstay available in 2 sizes
- Complimentary door handles and escutcheons available for suited look

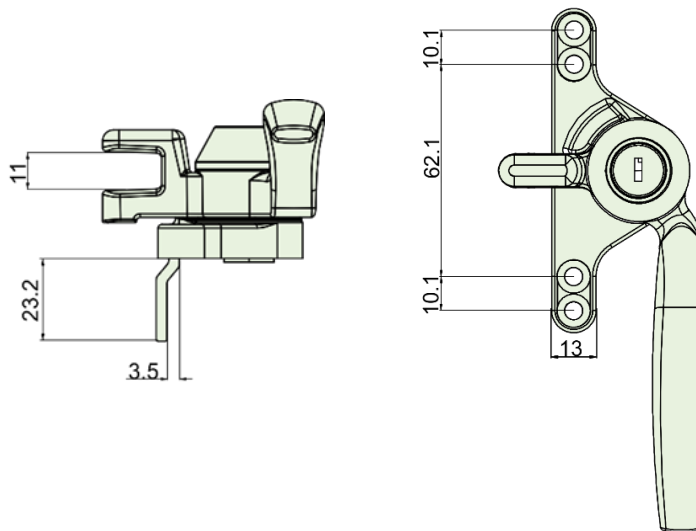
MP918 Multipoint Arched Classic Handle



MP918N12 – Non Locking

MP918K12- Key Locking

Steel Window Fittings/Window Handles/MP918



Dimensions with Standard Drive Blade

PRODUCT FEATURES & TECHNICAL INFORMATION

- A Multipoint handle which replicates the traditional appearance of a cockspur handle with a gear box drive blade for concealed multipoint rail systems
- Variety of drive blades enables compatibility with many window systems
- Screw cover caps are supplied for a contemporary look and colour fixing screws are available for a traditional appearance
- Available with drive blade removed for standard cockspur handle operation
- Suitable for M4 countersunk fixing screws
- Available in several finishes or matching RAL finish on request
- Complimentary B400 design pegstay available in 2 sizes
- Complimentary door handles and escutcheons available for suited look

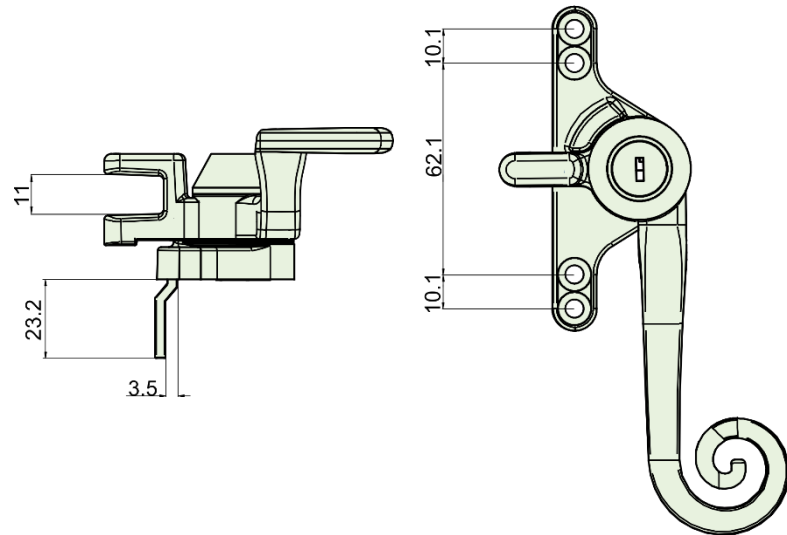
MP400 Multipoint Monkey-Tail Classic Handle



MP400N12 – Non Locking

MP400K12- Key Locking

Steel Window Fittings / Window Handles / MP400

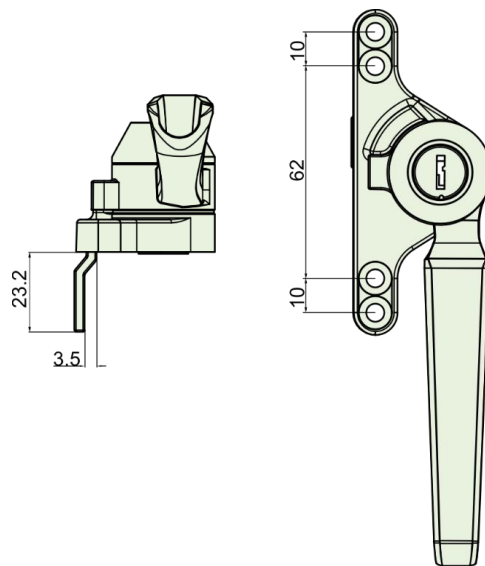


Dimensions with Standard Drive Blade

PRODUCT FEATURES & TECHNICAL INFORMATION

- A Multipoint handle which replicates a traditional handle with a gear box drive blade for concealed multipoint rail systems
- Variety of drive blades enables compatibility with many window systems, see separate drive blades options page at the end of this section
- Screw cover caps are supplied for a contemporary look and colour fixing screws are available for a traditional appearance
- Suitable for M4 countersunk fixing screws
- Available in several finishes or matching RAL finish on request
- Complimentary B395 design pegstay available in 3 sizes
- Complimentary door handles and escutcheons available for suited look

MP196 Multipoint Modern Straight Classic Handle



MP196N12 – Non Locking

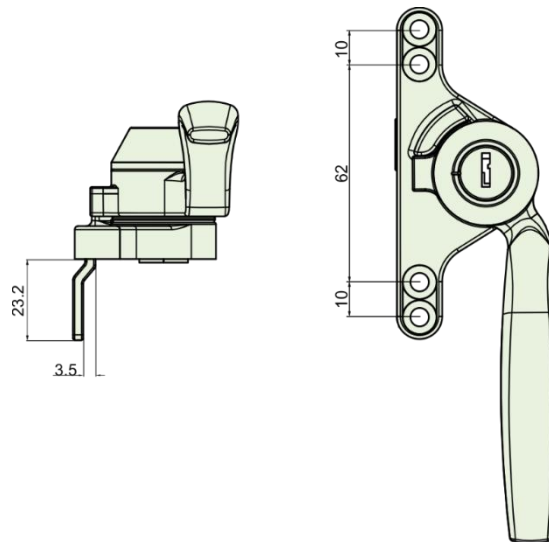
MP196K12- Key Locking

Dimensions with Standard Drive Blade

PRODUCT FEATURES & TECHNICAL INFORMATION

- A Multipoint handle which replicates a traditional handle with a gear box drive blade for concealed multipoint rail systems
- Variety of drive blades enables compatibility with many window systems, see separate drive blades options page at the end of this section
- Screw cover caps are supplied for a contemporary look and colour fixing screws are available for a traditional appearance
- Suitable for M4 countersunk fixing screws
- Available in several finishes or matching RAL finish on request
- Complimentary B375 design pegstay available in 2 sizes
- Complimentary door handles and escutcheons available for suited look

MP920 Multipoint Modern Arched Classic Handle



MP920N12 – Non Locking

MP920K12- Key Locking

Dimensions with Standard Drive Blade